

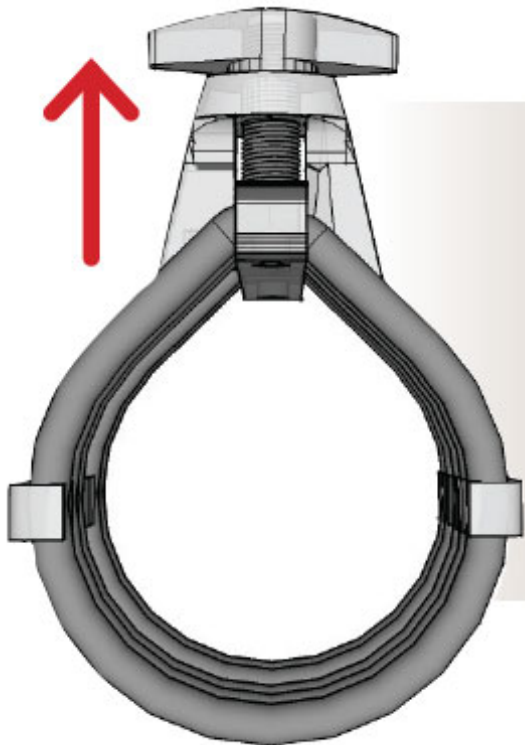
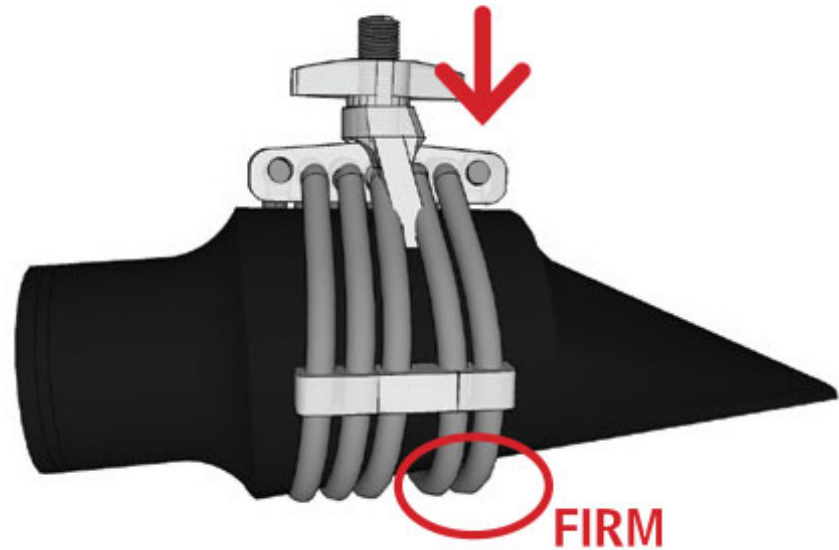
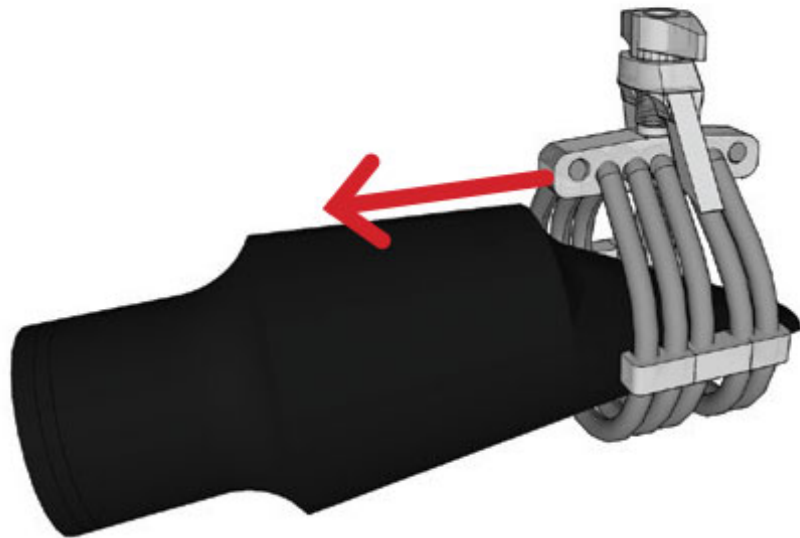
SILVER<sup>👑</sup>STEIN  

---

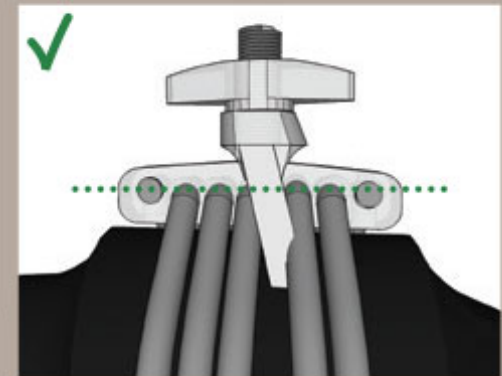
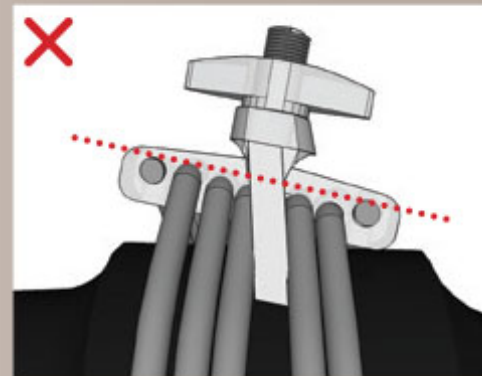
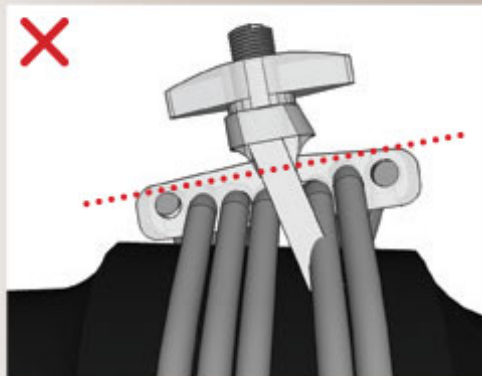
---

WORKS

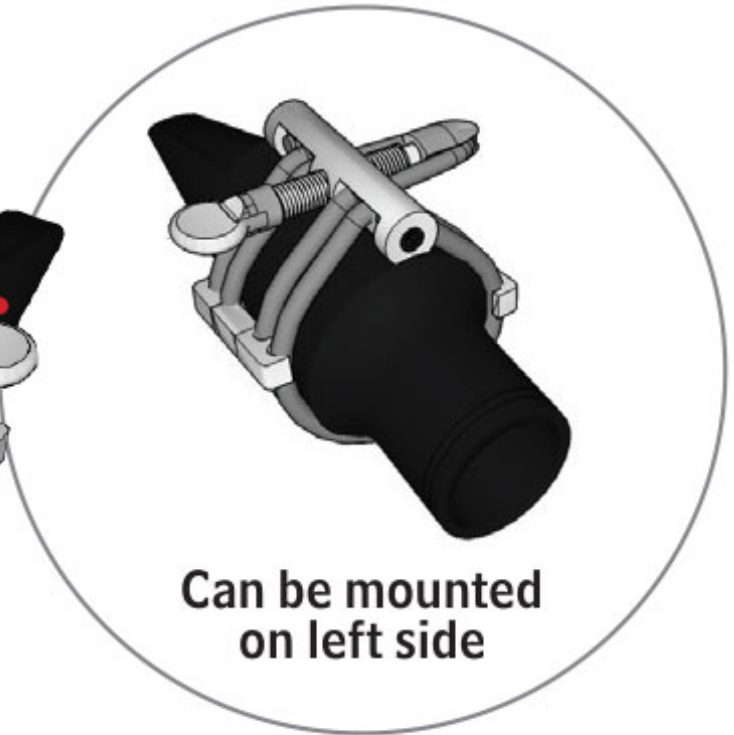
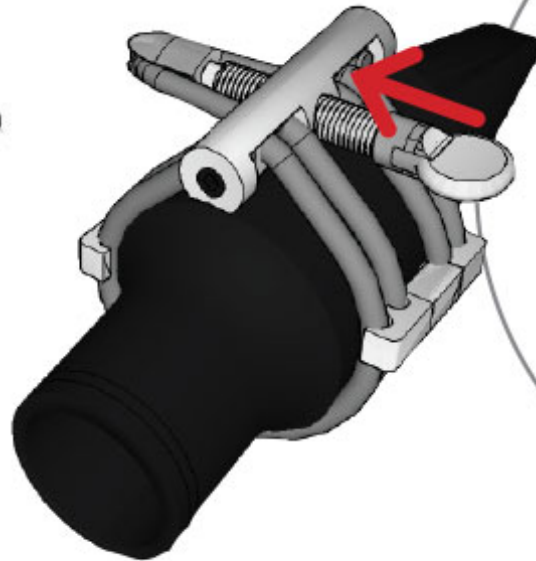
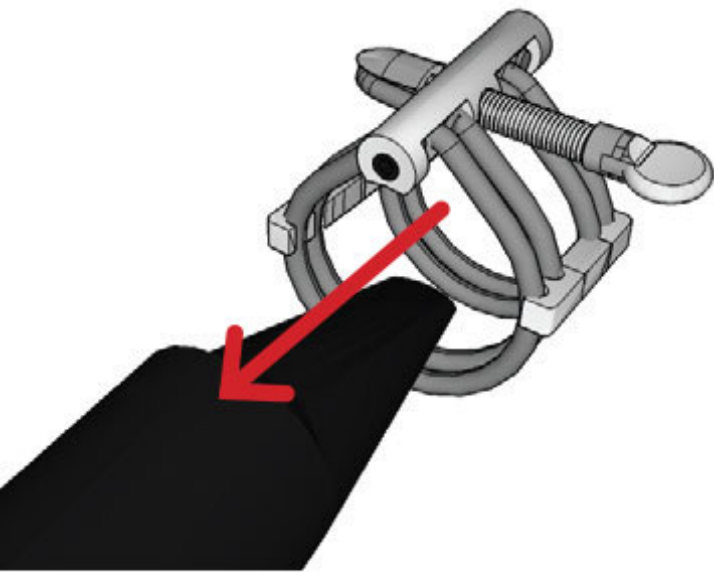
# A-FRAME LIGATURES



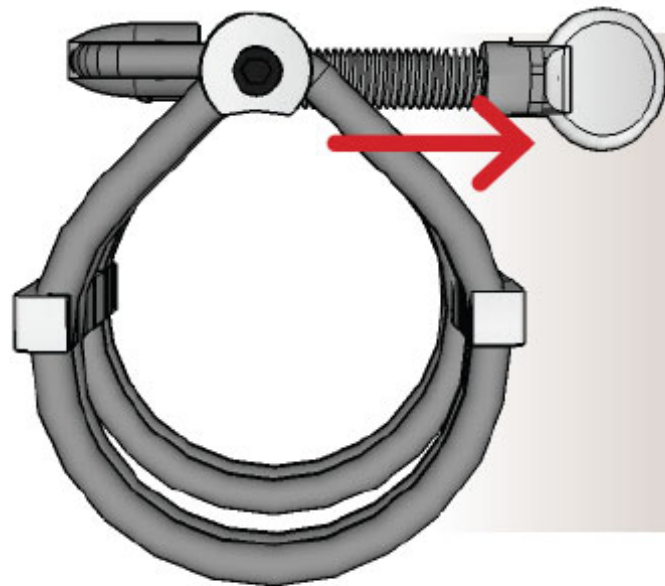
HOW TO ADJUST [www.silversteinworks.com/mounting](http://www.silversteinworks.com/mounting)



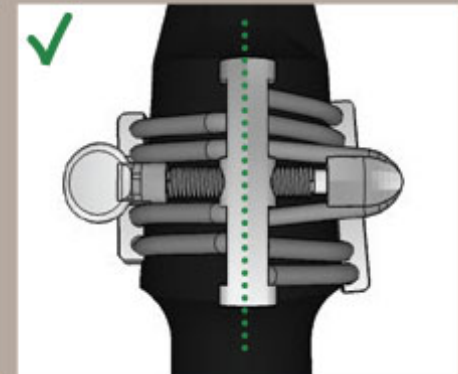
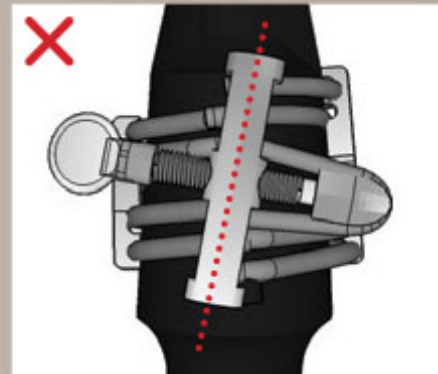
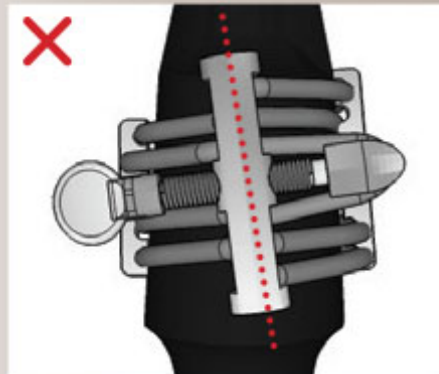
# T-FRAME LIGATURES



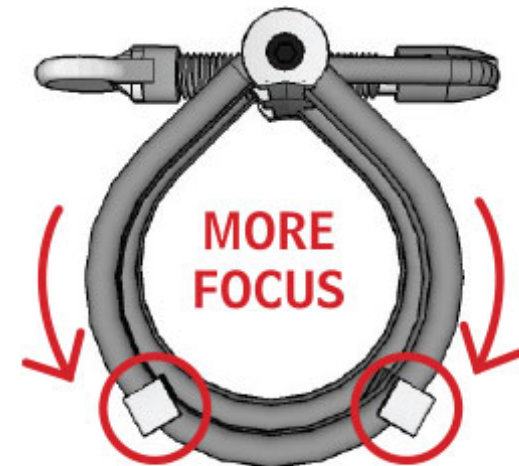
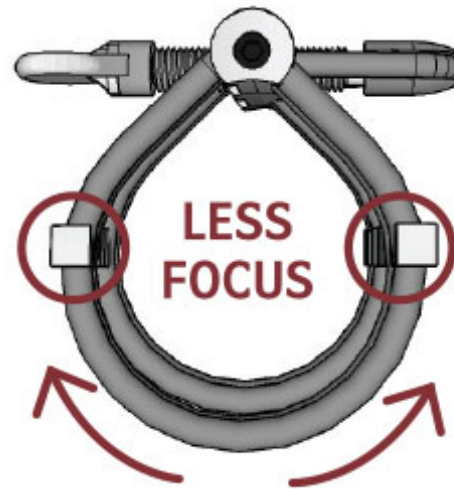
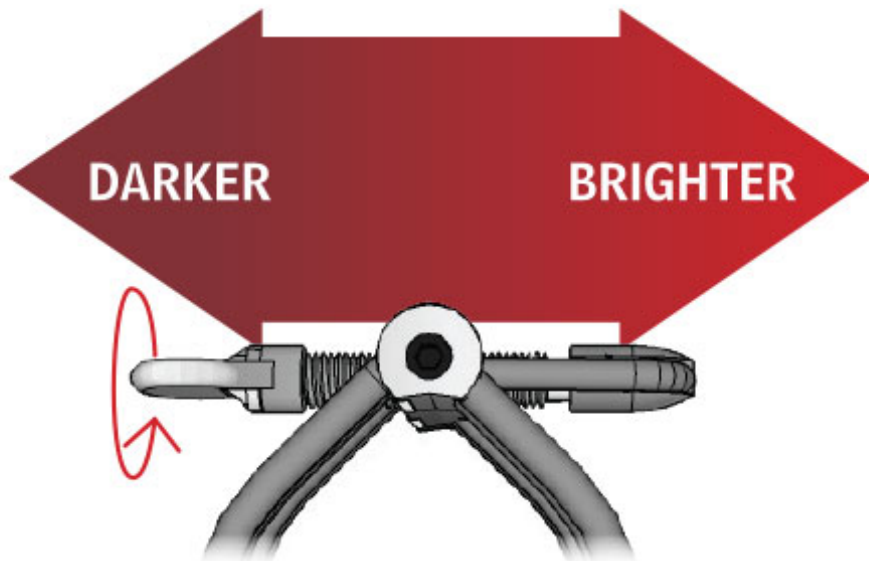
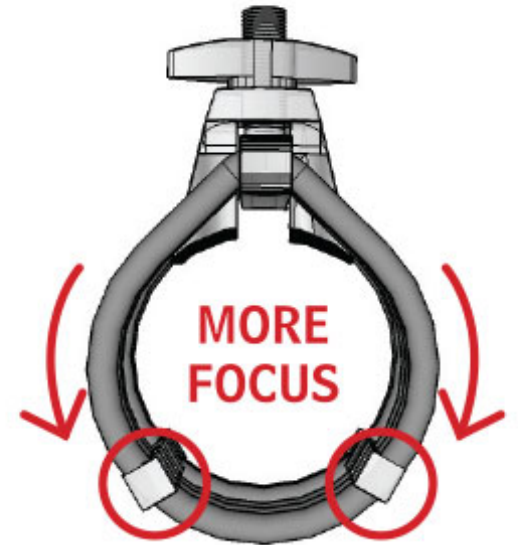
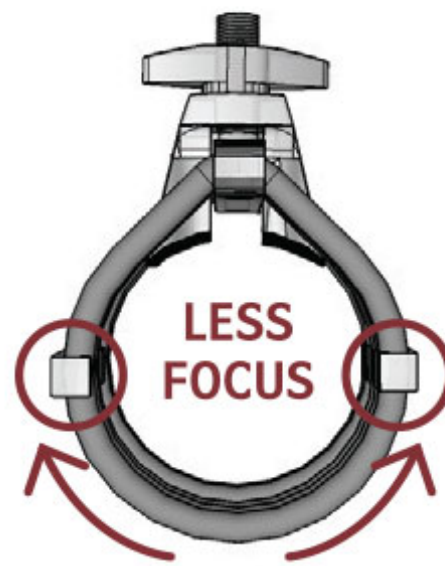
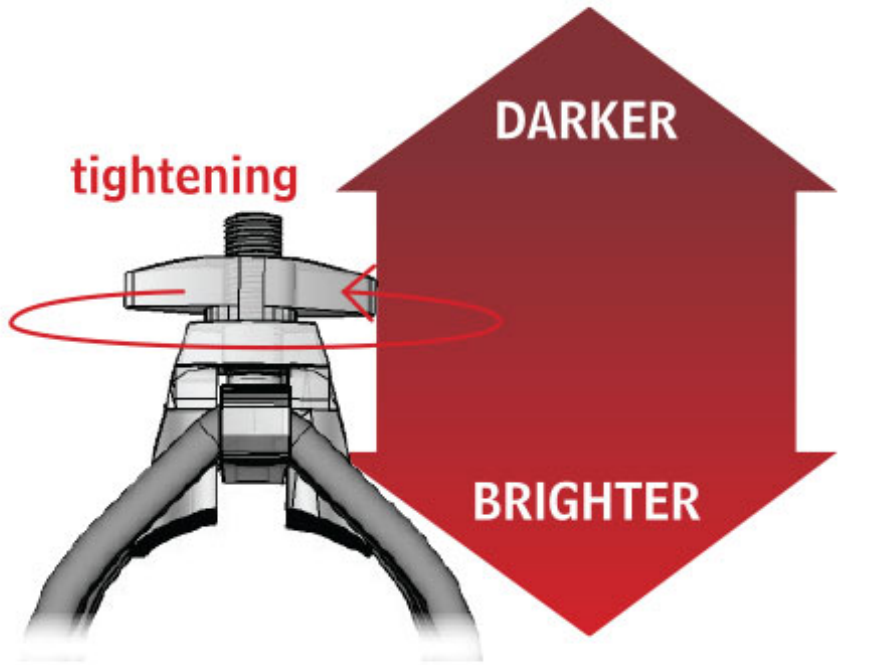
Can be mounted on left side



HOW TO ADJUST [www.silversteinworks.com/mounting](http://www.silversteinworks.com/mounting)



# SOUND CONTROL

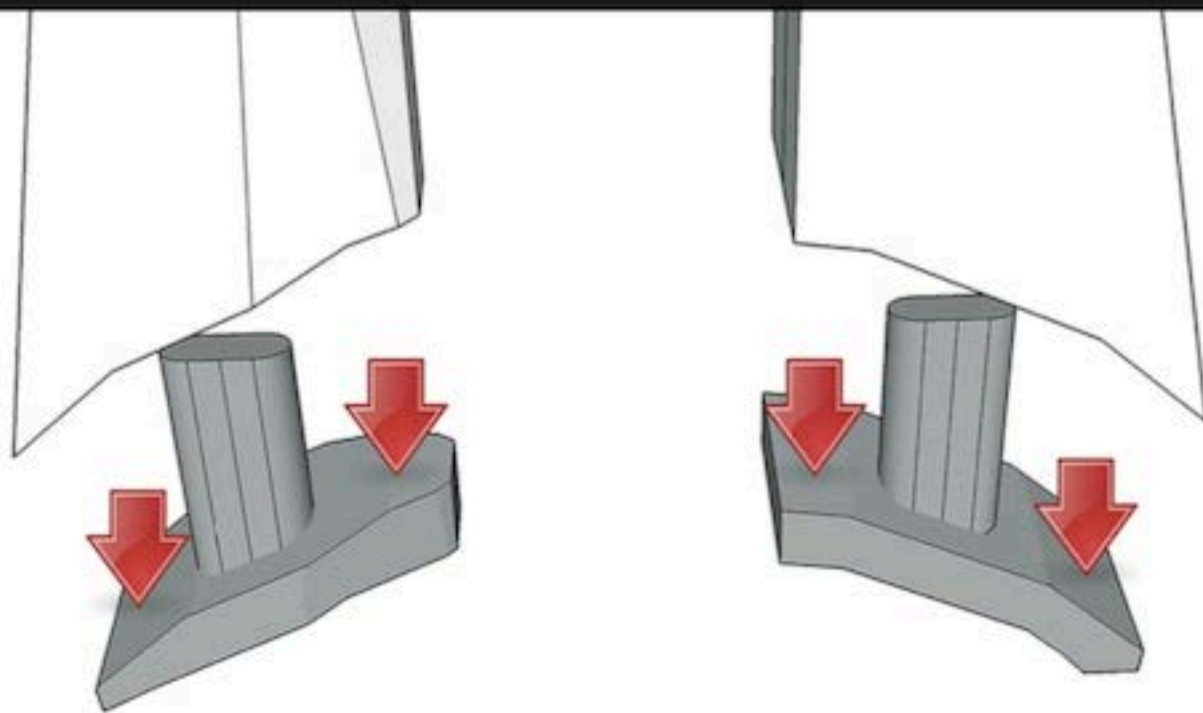


# ANTI-SLIP PAD



Standard for T Frame ligatures / Optional for A Frame ligatures

# BRIDGE PAD



Apply small volume of glue.

Standard for A Frame ligatures

## **CARE AND MAINTENANCE**

The ligature can be cleaned easily by rinsing or soaking in cool water. For more thorough cleaning, use your fingers to gently scrub the surface of the ligature with soap and water.

A-frame ligature includes a pair of black synthetic pads that attaches to the bottom of the bridge piece. These pads are designed to help prevent possible damage to your mouthpiece when mounted. Removing these pads, however, enhances the sound and optimizes the performance. Additional pads can be purchased separately when lost or need replacing.

## **WARRANTY TERMS**

The Silverstein Ligature is fully warranted to the original owner against defects in materials and workmanship for 2 years. To receive warranty certification, please register your product on the Silverstein Works website or by mailing in the attached registration form within 3 months of purchase. The product is warranted against stretching, morphing, or unnatural changes to the cord from normal use. The warranty excludes damage from misuse, abuse, wear and tear, and other exclusions. If a product ever fails due to a manufacturing defect, even after extended use, we will repair the product without charge, or replace it, at our discretion. This warranty does not cover damage caused by accident, improper care, or negligence. Damage not covered under warranty can be repaired for a reasonable rate. The Ligature must be sent for warranty service with all parts included. Any missing parts will void the warranty or will be charged to the customer. The customer will be responsible for all shipping charges for any warranty services.

To obtain Warranty Service, please contact us at (201) 471-0700 or [customerservice@silversteinworks.com](mailto:customerservice@silversteinworks.com).

For more information, demo videos, endorsements, and more, please visit [www.silversteinworks.com](http://www.silversteinworks.com) and follow us on [Facebook.com/SilversteinWorks](https://www.facebook.com/SilversteinWorks).

## **LIGATURE WARRANTY REGISTRATION**

In order to be eligible for warranty, please complete the registration form below and mail it along with a copy of your receipt to Silverstein Works. Once registered, your ligature will be covered by our warranty program for 2 years (1 year for Prelude). You may also register electronically at [www.silversteinworks.com](http://www.silversteinworks.com)

**NAME**

---

**ADDRESS**

---

**PHONE NUMBER**

---

**SERIAL NUMBER**

---

**EMAIL**

---

**WHERE DID YOU PURCHASE YOUR LIGATURE?**

---

Please mail to: Silverstein Works | 10 McKinley Street Suite #1 | Closter, NJ 07624 | U.S.A.



**SILVERSTEIN WORKS**  
**10 MCKINLEY STREET SUITE #1**  
**CLOSTER NJ 07624 USA**